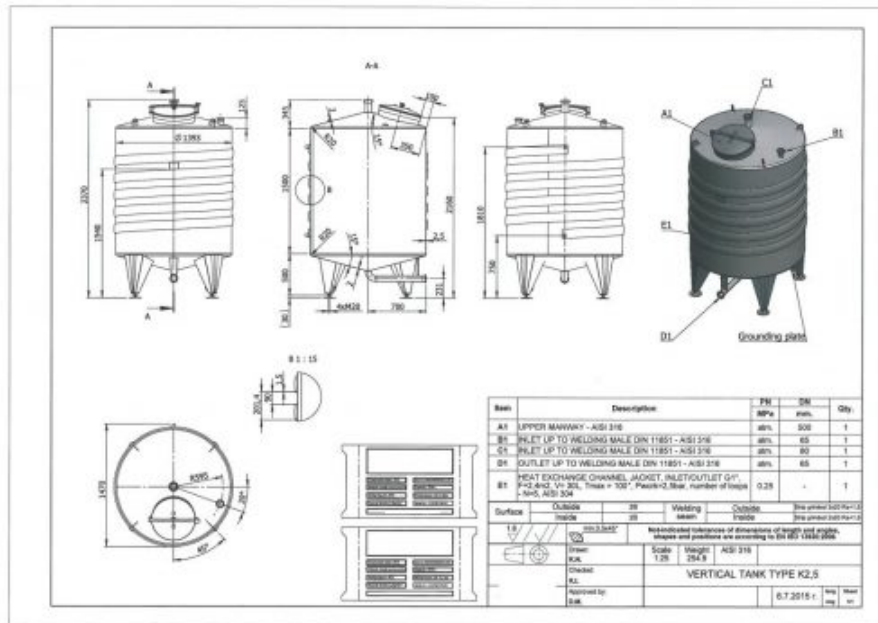




2500 liter i syrafast 316



Description of the article

- Article type: brand new storage tank
- Capacity: 2.500 L
- Maximal density of the product: 1.200 kg/m³
- Working pressure in tank: ATM - atmosferic
- In contact with the product: SS AISI 316 (V4A)
- Model: vertical
- Configuration: single jacketed with heat-exchanger
- Heat exchanger: yes
- Insulation: no
- Agitator: yes, optional
- Mobile tank: no
- Top type: conical 15 °
- Shape of tank: cylindrical
- Bottom type: conical 15 °
- Total discharge: yes
- Fixation points: 4 adjustable feet
- Legs: Set of baseplates and adjusting pieces included



Heat Exchanger (HE)

- Type of HE on the cylinder: half pipe welded onto the outside of the innertank
- Position HE: the complet cilinder
- Number of windings: 5
- Height HE: 1.000 mm
- Number of sections: 1
- Water pressure HE: 2,50 Bar
- Steam pressure HE: 1 Bar
- Contact surface cylinder. 2,40 m²
- Connection HE: 1 BSP
- Working temperature HE cylinder: 100 °C
- Type HE: half pipe welded onto the outside of the innertank

Overview materials

- Mat. wet parts: SS AISI 316 (V4A)
- Heat exchanger: RVS 304
- Manway(s): RVS 316
- Gasket manway(s): EPDM
- Valve: RVS 316L
- Fixation point(s): RVS 304

Equipment

- Suitable for food industry: yes
- Documents included: yes, optional
- Technical drawing included: yes
- Registration plate on the tank: yes
- Flange for agitator: no
- Number of manways: 1
- Position manway: at the top
- Manway 1: Ø 500 mm
- Spray ball: no
- Tank outlet: inside Ø 65 mm
- Outlet type: DIN11851
- Total outlet valve: yes, optional
- Type shut-off valve: butterfly valve
- Adjustable legs: yes

Wall thicknesses of the inner tank

- Top: 2 mm
- Cylinder: 2,50 mm
- Bottom: 2 mm



Dimensions of the tank

- Internal diameter tank: 1.393 mm
- Distance from outlet to ground: 231 mm
- Outer diameter tank: 1.470 mm
- Cylinder height: 1.500 mm
- Total height of tank: 2.370 mm
- Empty weight tank: 300 Kg

Art.nr. 1909

Specifikationer

Antal	1
Isolerad	Nej
Livsmedelsklassad	Ja
Material	Syrafast 316
Modell	Vertikal
Omrörare	Nej
Uppvärmning/kylning	Ja
Volym i liter	2500