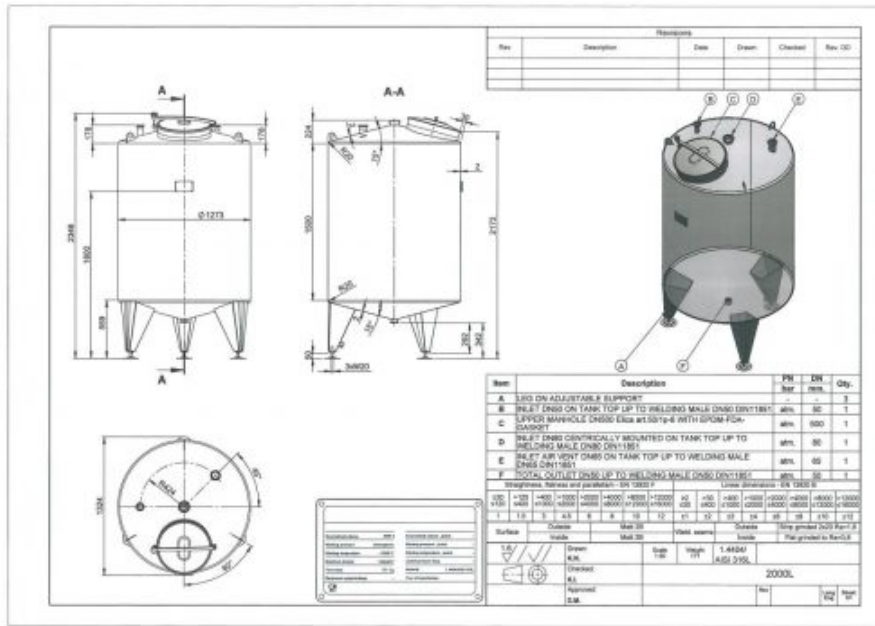




2000 liter i syrafast 316



Description of the article

- Article type: brand new storage tank
- Capacity: 2.000 L
- Maximal density of the product: 1.200 kg/m³
- Ra inner weld: 0,80 µ
- Finish stainless steel: 2b
- Working pressure in tank: ATM - atmosferic
- Design pressure of the tank: 0,05 Bar
- Max. working temperature: 100 °C
- Min. working temperature: -10 °C
- In contact with the product: SS AISI 316L (V4A)
- Model: vertical
- Configuration: single-skin
- Heat exchanger: no
- Insulation: no
- Agitator: yes, optional
- Mobile tank: no
- Top type: conical 15 °
- Shape of tank: cylindrical



- Bottom type: conical 15 °
- Total discharge: yes
- Fixation points: 3 adjustable feet
- Legs: Set of baseplates and adjusting pieces included

Overview materials

- Mat. wet parts: SS AISI 316L (V4A)
- Manway(s): RVS 316
- Gasket manway(s): EPDM
- Fixation point(s): RVS 304L

Equipment

- Suitable for food industry: yes
- Documents included: yes, optional
- Technical drawing included: yes
- Registration plate on the tank: yes
- with inspection of: TUV
- Flange for agitator: no
- Number of manways: 1
- Position manway: at the top
- Manway 1: Ø 500 mm
- Spray ball. yes, optional
- Max. temperature CIP: 30 °C
- Tank outlet: inside Ø 50 mm
- Outlet type: DIN11851 male
- Total outlet valve: yes, optional

Wall thicknesses of the inner tank

- Top: 2 mm
- Cylinder: 2 mm
- Bottom: 2 mm

Dimensions of the tank

- Distance from outlet to ground: 342 mm
- Outer diameter tank: 1.273 mm
- Cylinder height: 1.500 mm
- Feet height: 559 mm
- Total height of tank. 2.349 mm
- Empty weight tank: 171 Kg

Art.nr. 1939



Specifikationer

Antal	7
Isolerad	Nej
Livsmedelsklassad	Ja
Material	Syrafast 316
Modell	Vertikal
Omrörare	Nej
Uppvärmning/kylning	Nej
Volym i liter	2000