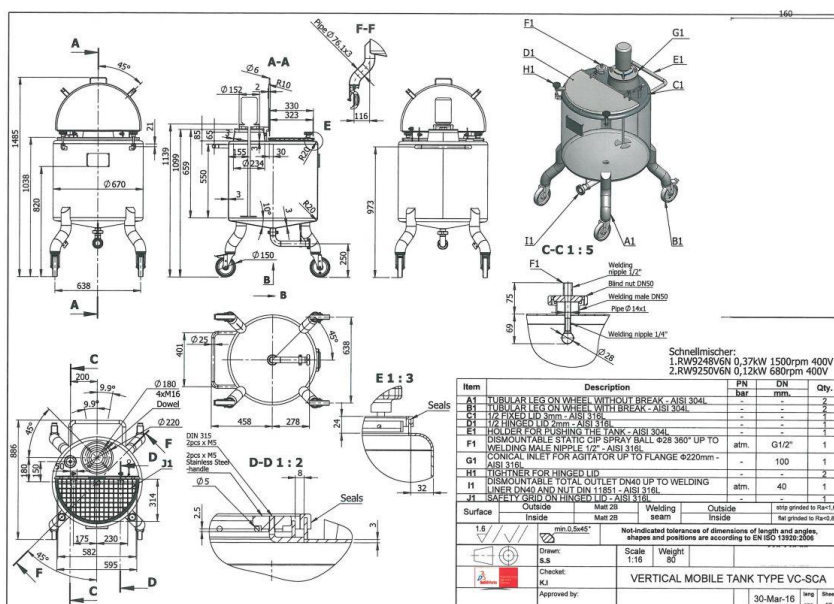


200 liter tank i Syrafast 316



119 000 SEK /st exkl moms

item available on order

Article type: brand new mixing tank - type VC-SCA

Additional information: delivered with food certificate; *article price without agitator*; choice of 2 different types of agitators; see options; (The article can also be purchased without options); Ra=<0.8µm

Volumetric volume (L): 200 L

Max. density P (kg/m³): 1.200

Ra inner weld: 0,80

Finish stainless steel: 2b

Max. temperature (°C): 80 °C

Min. temperature (°C): -10 °C



Material wet parts: SS AISI 316 (V4A)

Model: vertical

Configuration: single-skin

Heat exchanger: no

Insulation: no

Mobile tank: yes

Top type: half hinging lid °

Shape of tank: cylindrical

Bottom type: conical 10 °

Total discharge: yes

Fixation points: 4 casters

Gasket manway(s): EPDM

Valve: RVS 316L

Fixation point(s): RVS 304

Suitable for food industry: yes

Documents included: yes, optional

Technical drawing included: yes

Registration plate on the tank: yes

Flange for agitator: yes

CIP spray ball: no, optional

Tank outlet: inside Ø 40 mm

Total outlet valve: no, optional

Agitator: no, optional

Agitator type: propeller agitator

Position engine: at the top

Number of revolutions: 1.500

Power: 0,37

Voltage: 400 V - three-phase

Agitator type 2: propeller agitator

Position engine: at the top

Number of revolutions: 680

Power: 0,12

Voltage: 400 V - three-phase



Top: 3 mm

Cylinder: 3 mm

Bottom: 3 mm

Internal diameter tank: 670 mm

Distance from outlet to ground: 250 mm

Outer diameter tank: 676 mm

Cylinder height: 550 mm

Total height of tank: 1.620 mm

Empty weight tank: 70

SKU: 6317

Mer information

Beskrivning av produkt

Livsmedelsklassad: Ja

Material: Syrafast 316

Modell: Vertikal

Nyttillverkad/Begagnad: Nyttillverkad

Finish rostfritt stål: 2b

Konfiguration: single-skin

Max. arbetstemperatur: 80 °C

Maximal densitet för produkten: 1200

Min. arbetstemperatur: -10 °C

Mobil tank: Ja

Övrig information: delivered with food certificate; article price without agitator; choice of 2 different types of agitators; see options; (The article can also be purchased without options);

Övrig information2: Ra=<0.8µm

Omrörare: Nej

Ra innersvets: 0,80

Tankens form: cylindrical

Total urtappning: Ja

Typ av botten: conical 10 °

Uppvärmning/kylning: Nej

Vätskeberörd yta: SS AISI 316 (V4A)

Volym i liter: 200

Utrustning

Fläns för omrörare: Ja

Märkskylt: Ja

Livsmedelsklassad: Ja

Tankutlopp: inside Ø 40 mm

Teknisk ritning finns: Ja

Översikt material

Material: Syrafast 316

Fixeringspunkt(er): RVS 304



Dimensioner av tank

Cylinderhöjd: 550 mm
Invändig diameter: 670 mm
Mått utlopp till marken: 250 mm
Total höjd: 1.620 mm
Ytterdiameter: 676 mm

Omrörare

Kraft (kW): 0,37
Position motor: at the top
Typ av omrörare: propeller agitator
Varvtal: 1.500
Spänning (Volt): 400 V - three-phase

Tjocklek på tank

Botten: 3 mm
Cylinder: 3 mm
Topp: 3 mm

Mer

Isolerad: Nej
Vikt: 70