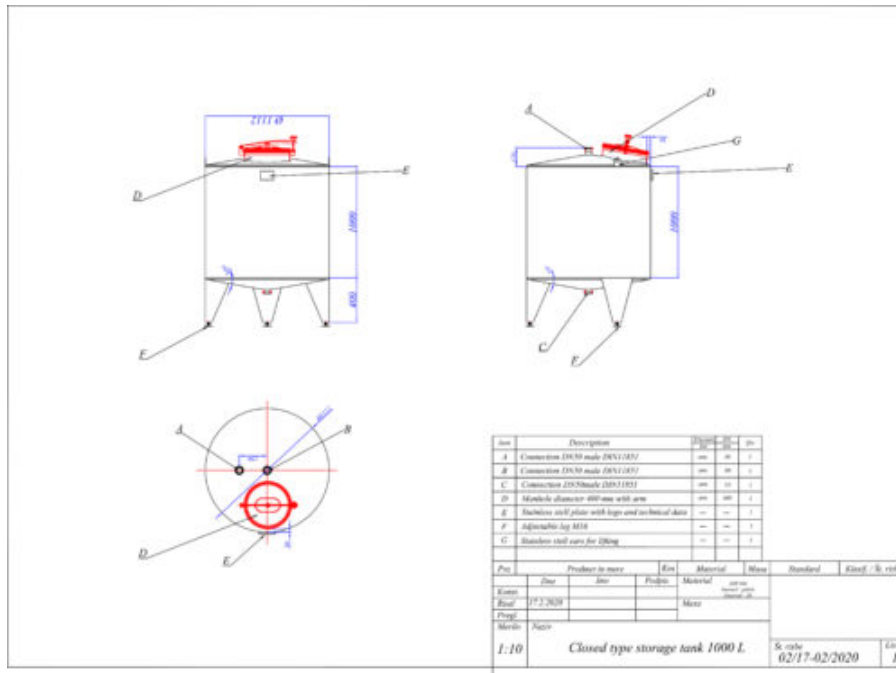




# 1000 liter i rostfritt 304 eller syrafast 316



Nyttillverkade tankar. Dessa tankar kan tillverkas i både rostfritt 304 och syrafast 316. Tankarna kan även anpassas med isolering och eller uppvärmning/kylning.

- Diameter of the tank 1112 mm
- Hight of jacket 1000 mm
- Hight legs 400 mm
- Adjustable legs 3 pcs
- Conical central bottom down and on the top
- Material AISI 304
- Total outlet just connection male DN50
- Table with technical data
- Support for ladder
- On the top, position front circle door diameter 400 mm with safety arm
- On the top 2 pc connection male DN50
- On the top inox ears for lifting tank
- All internal welds are make with grinding whell and than high polish
- Outside surface are 2B matt/white



Art.nr. 3183

## Specifikationer

Antal	10
Livsmedelsklassad	Ja
Material	Rostfritt 304, Syrafast 316
Modell	Vertikal
Omrörare	Nej
Volym i liter	1000